



## Closed Tube Head Designs

### **5004, 5002, 5001, B2A, DMF-A1**

#### **5000 Series**

The Liburdi Dimetrics Corporation's complete range of Orbital Tube Weld Heads are designed to meet the increasing quality demands of a variety of industrial standards including the Pharmaceutical/Biotechnology, Food & Beverage, Aerospace and Semiconductor industries. The clean environment of a fully enclosed, slim line and water-cooled design permits Liburdi Dimetrics' range of tube weld heads to perform fusion GTAW (TIG) welds in the diameter range of 1/4" to 4" OD. The rugged and versatile construction of this enclosed weld head design provides an easy-to-use fusion welding capability whilst retaining both mechanical strength and heat tolerance to allow welding up to 1/8" thick stainless steel pipe without the need to add filler wire.

#### **The DMF-A1 Weld Head**

The DMF-A1 Weld Head fulfils the requirements of small diameter tube welding from 1/8" to 1/2" OD within the Semiconductor and Aerospace industries. With a 0.250"/0.236" axial clearance, the DMF-A1 is designed for mini-fitting welding in cleanroom and/or high productivity welding applications. Whether in position or on a welding bench, both UHP and custom welding applications can benefit from the simplicity and effectiveness of the Liburdi Dimetrics orbital package.



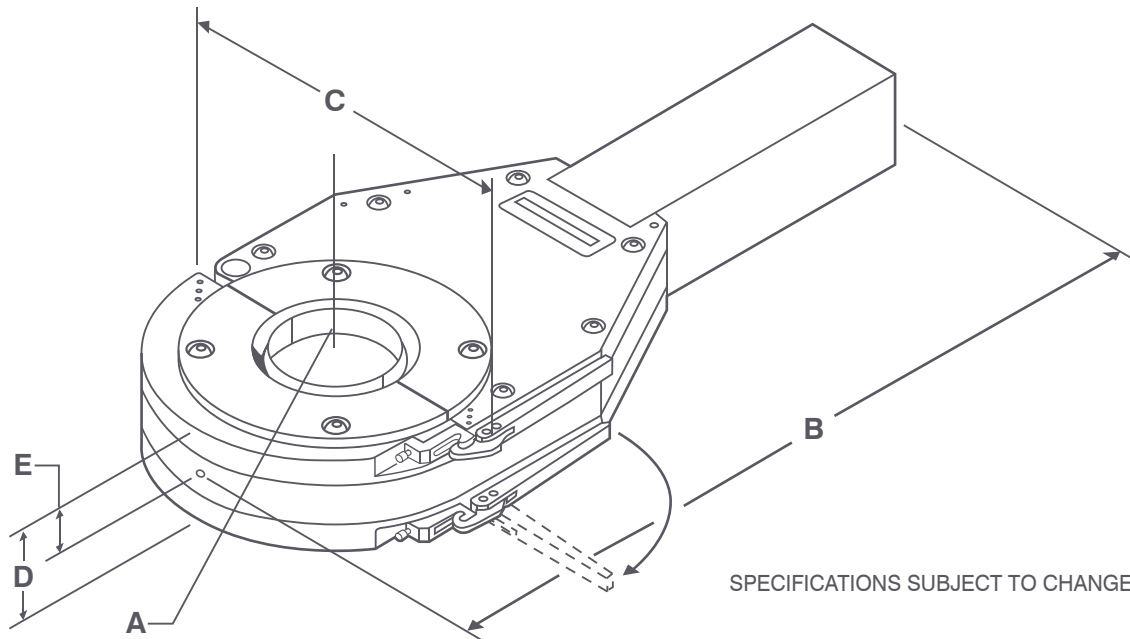
**Weld Quality Starts in the Arc**

USA | tel: 1-704-230-2510 | [dimmktg@dimetrics.com](mailto:dimmktg@dimetrics.com)  
INTERNATIONAL | tel: 1-905-689-0734 | [liburdi@liburdi.com](mailto:liburdi@liburdi.com)  
EUROPE | tel: +31-6-2036-1018 | [liburdieurope@liburdi.com](mailto:liburdieurope@liburdi.com)  
[www.liburdi.com](http://www.liburdi.com)

# 5004, 5002, 5001, B2A, DMF-A1

Features include:

- Slim-line profile for short fittings, short elbows, short tees and restricted access welds.
- Water cooled cables and weld head for high duty welding.
- Remote pendant mounted in handle (except B2A) of the weld head (no addition remote pendant required) permitting Start/Stop, Jog, Home and Head Purge.
- Light-weight single length 25ft (7.5m) cable (no adapter cables or connectors) avoiding costly cable repairs, particularly on job sites.
- Internal/External tungsten electrode extension capability to extend the equipment versatility and utility for special applications.



Model Number	5004		5002		B2A		5001		DMF - A1	
Tube Diameter Range:	1/2 - 4"	12 - 102	1/4 - 2 1/8"	6 - 54	1/8 - 1 1/4"	3 - 32	1/8 - 3/4"	3 - 20	1/8 - 1/2"	3 - 13
Pipe Size Range:	1/4" - 3 1/2"	≤DN90	1/8" - 1 1/2"	≤DN40	1/8" - 3/4"		1/8" - 3/8"		Micro-Fittings	
Maximum Speed:	7 RPM		10 RPM		12 RPM		12 RPM		12 RPM (30 Optional)	
Weight (excl. cable):	8.6 lbs	3.9 kg	6.2 lbs	2.8 kg	5.3 lbs	2.4 kg	3.5 lbs	1.6 kg	2.7 lbs	1.2 kg
<b>Dimensions:</b>	<b>Inches</b>	<b>mm</b>	<b>Inches</b>	<b>mm</b>	<b>Inches</b>	<b>mm</b>	<b>Inches</b>	<b>mm</b>	<b>Inches</b>	<b>mm</b>
"A" Radius:	3.37	86	2.25	57	1.72	44	1.24	31	0.98	25
"B" Length:	16.75	426	14.77	375	16.95	431	12.67	322	10.65	271
"C" Width:	7.34	186	5.10	130	3.45	88	3.2	81	3.08	78
"D" Thickness:	1.86	47	1.86	47	1.93	49	1.5	38	0.47	12
"D" Thickness with Collets:	2.12	54	2.12	54	2.02	51	1.5	38	0.47	12
"E" Tungsten Offset:	0.88	22	0.88	22	0.79	20	0.75	19	0.24	6
"E" Offset with Collets:	1.00	26	1.00	25	0.94	24	0.75	19	0.24	6
"E" with Minimum Offset:	0.69	17	0.69	17	0.75	19	0.63	16	0.24	6
"E" Minimum with Collets:	0.81	21	0.81	21	0.75	19	0.63	16	0.24	6



**Weld Quality Starts in the Arc**



'Liburdi Dimetrics' GoldTrack®VP, PTW160c™ & P300™ are suitable power supplies with the 5000 series

© Liburdi Dimetrics Corp. July 23, 2010. Specs subject to change